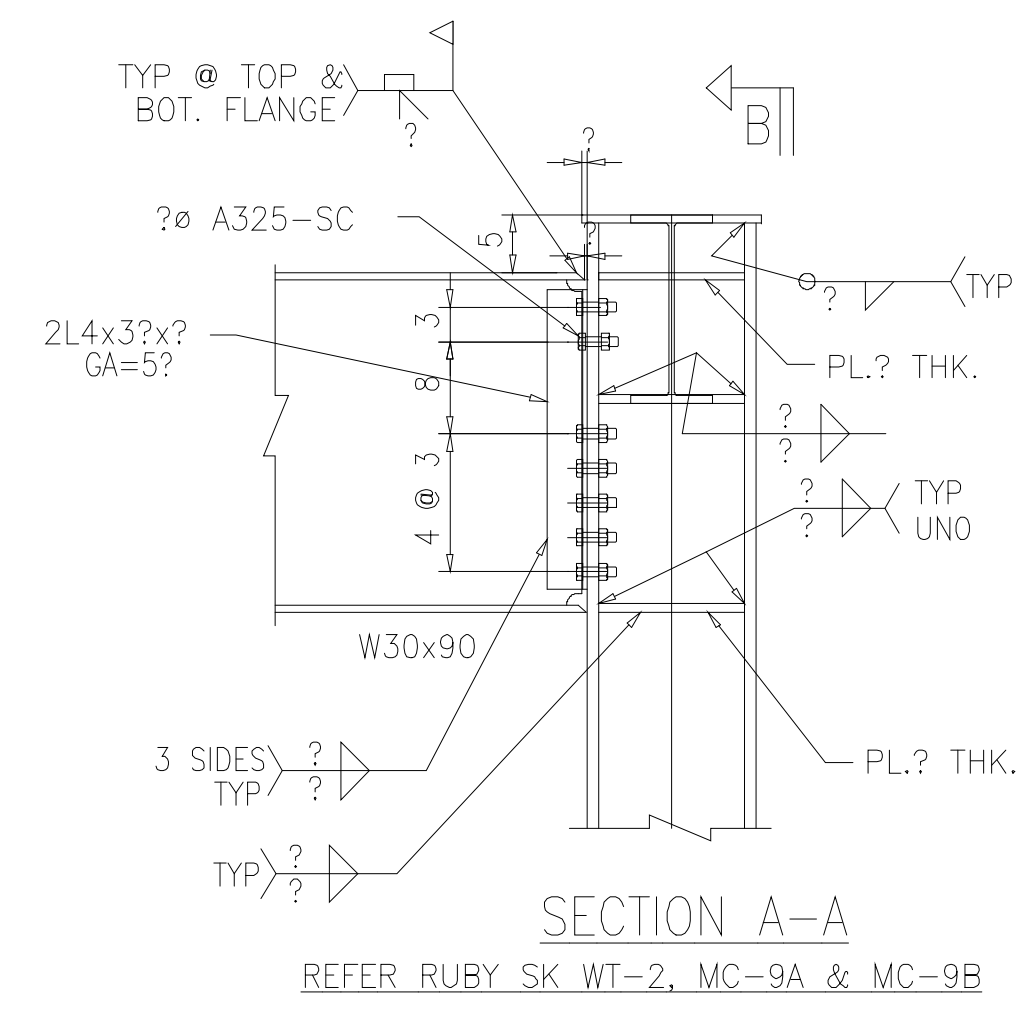


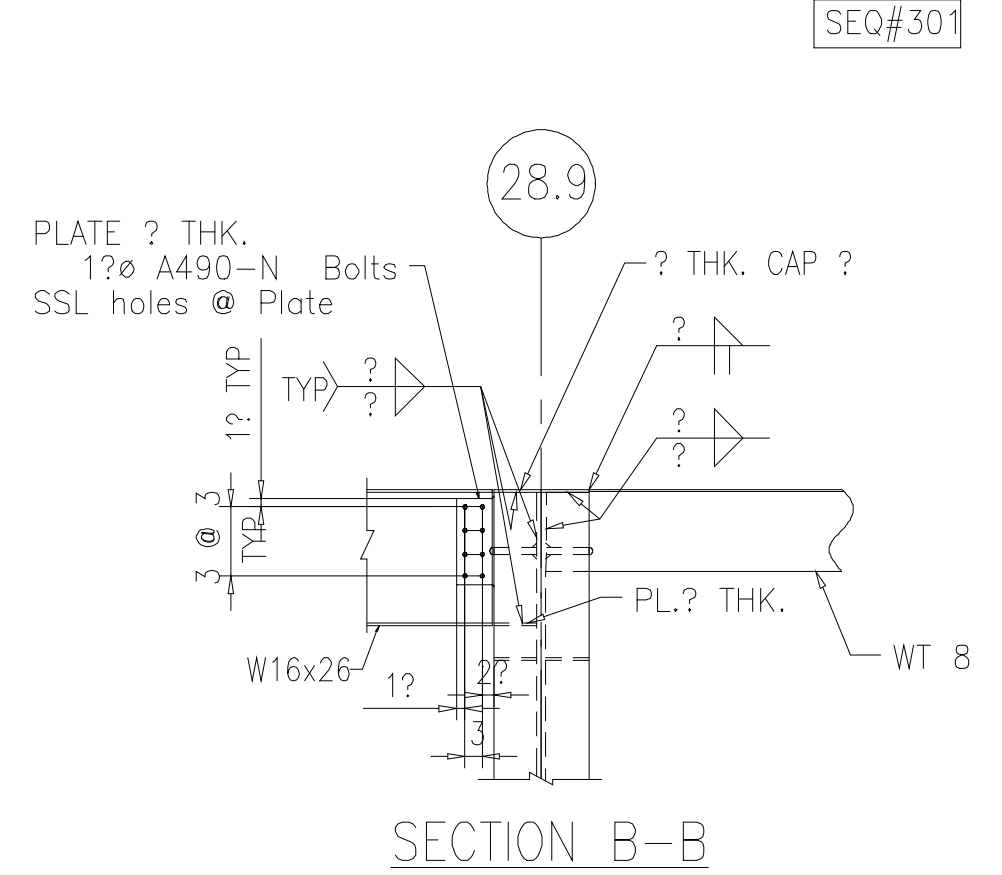
TYPICAL COLUMN SPLICE DETAIL
(FOR SPLICE PLATES Spf & Spw REFER DRAWING STD05-A-2070)

COLUMN MARK	SIZE	FLANGE PLATE Spf			WEB PLATE Spw			REFERENCE RUBY SKETCH		
		PLATE SIZE	N (Number of Bolts)	Bolt type	Gage (Gf)	PLATE SIZE	Nw (Number of Bolts)		Bolt type	Gage (Gw)
150B, 152B, 154B 155B, 157B, 158B 159B, 161B, 163B	W14x132	1x12?x1'-2	2	1?ø A490-SC	11	?x10x1'-0?	2	?ø A325-SC	5?	CS-1 & CS-2
151B, 160B	W14x68	?x8x1'-0?	2	?ø A325-SC	5?	?x10x1'-0?	2	?ø A325-SC	5?	CS-1 & CS-2
153B, 162B	W14x90	?x12?x1'-2	2	?ø A325-SC	11	?x10x1'-0?	2	?ø A325-SC	5?	CS-1 & CS-2

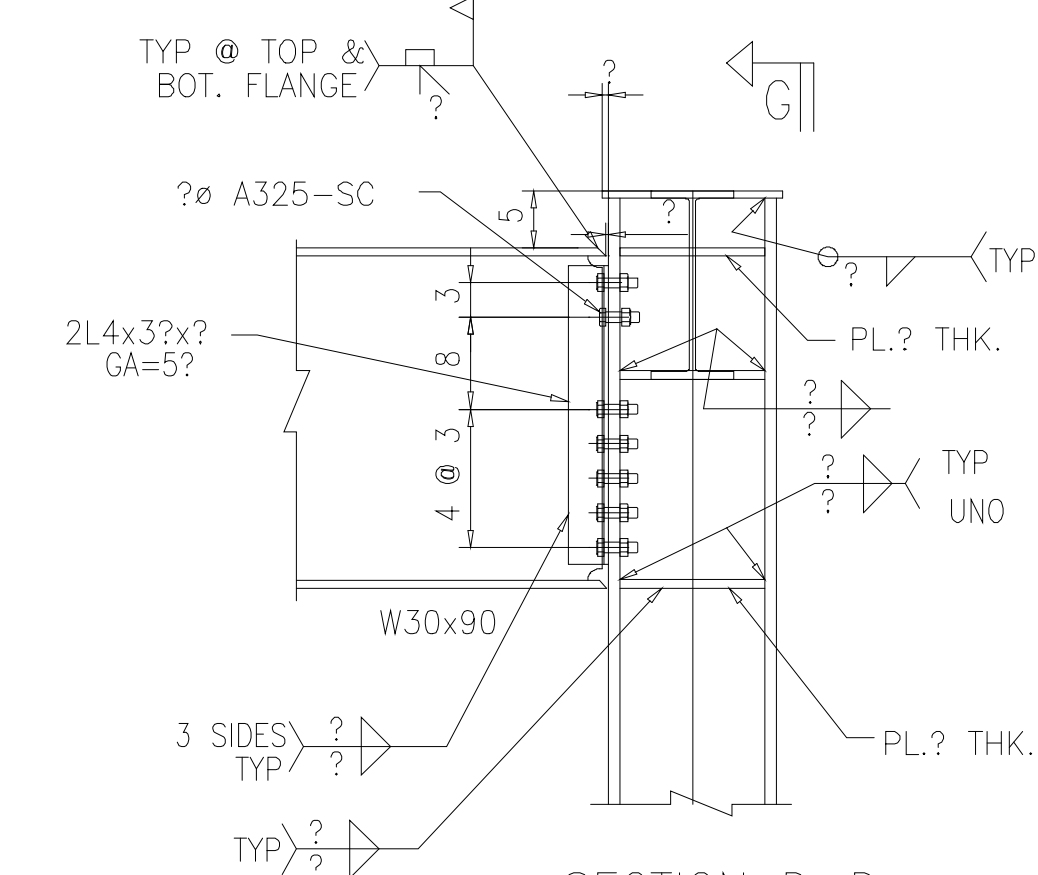
ROOF LEVEL FRAMING PLAN
(T.O.S.= AS NOTED)
SEQ#301



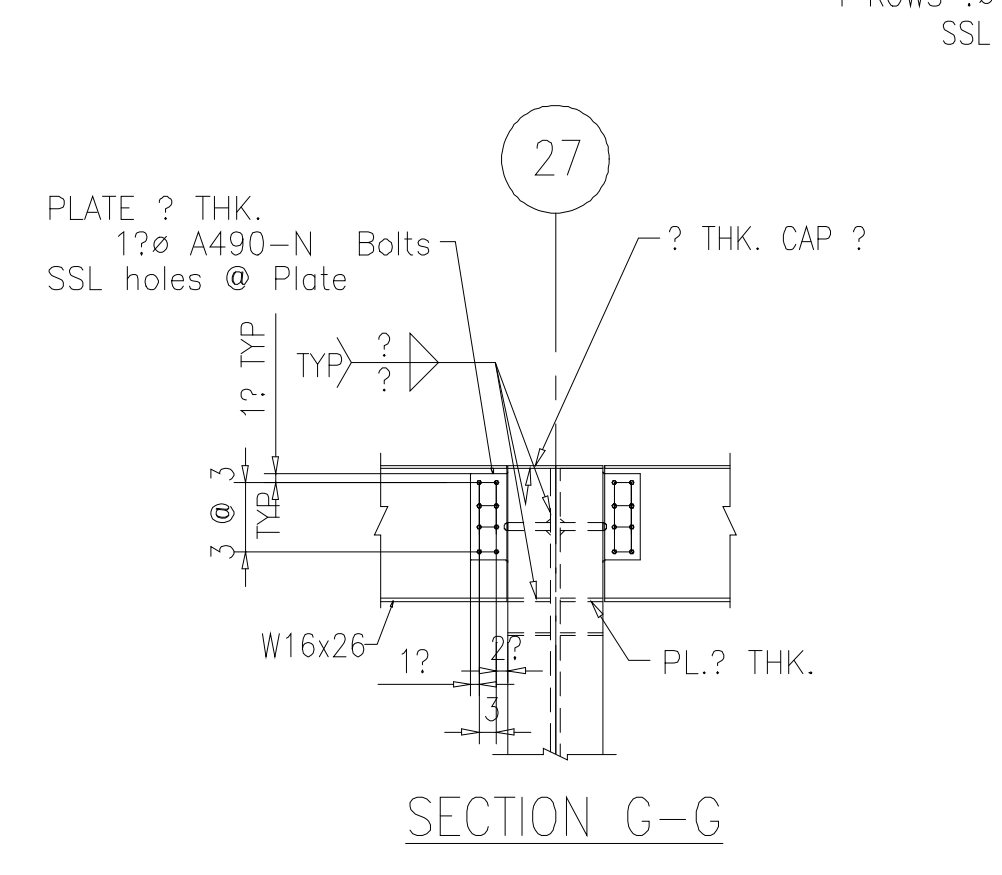
SECTION A-A
REFER RUBY SK WT-2, MC-9A & MC-9B



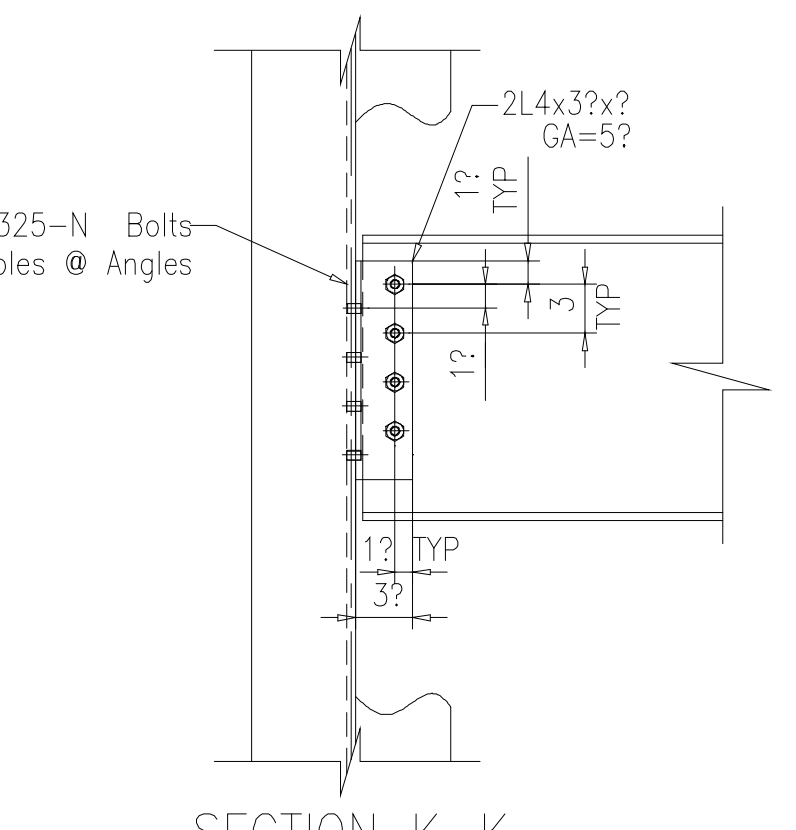
SECTION B-B



SECTION D-D
REFER RUBY SK MC-9A & MC-9B

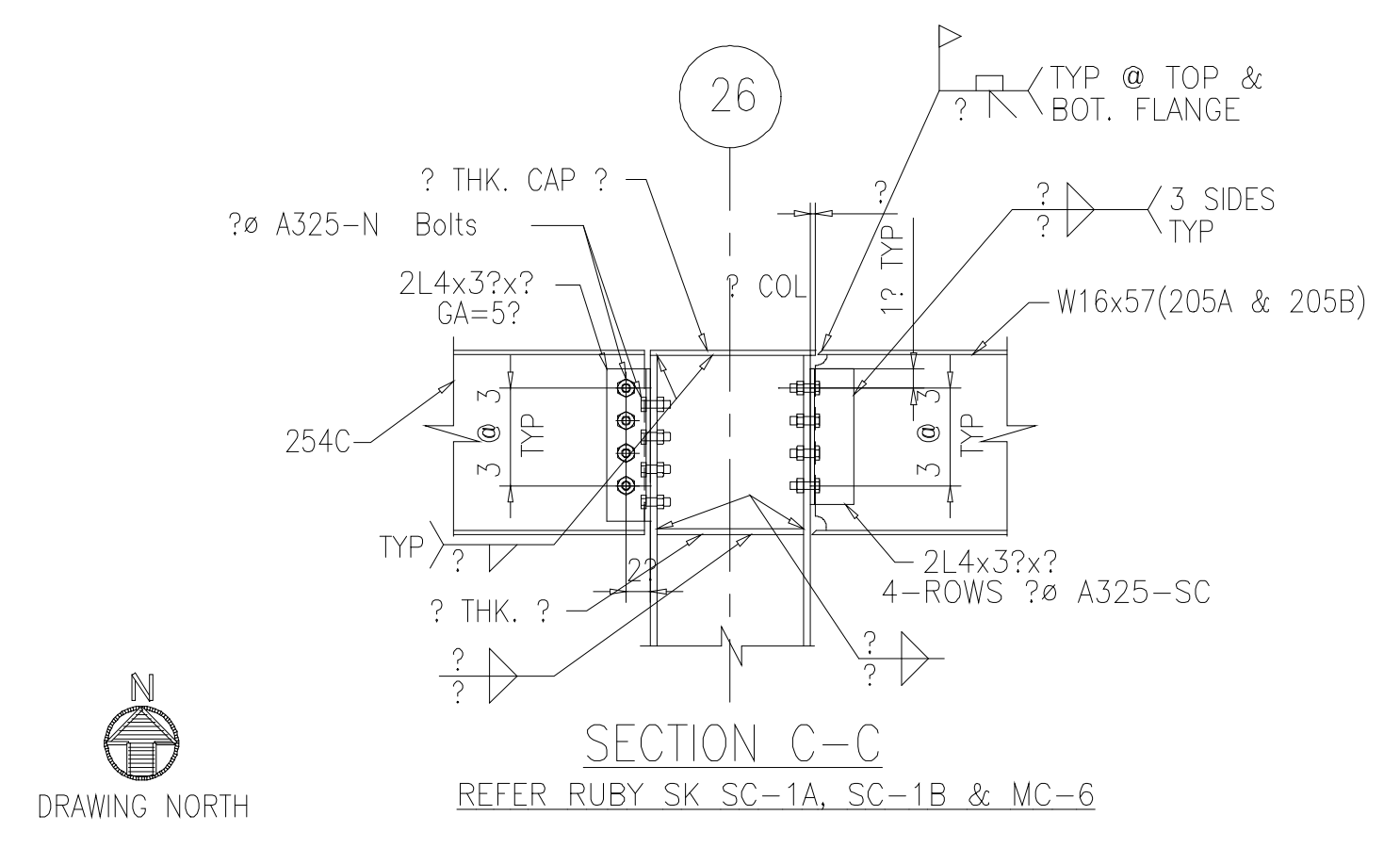


SECTION G-G

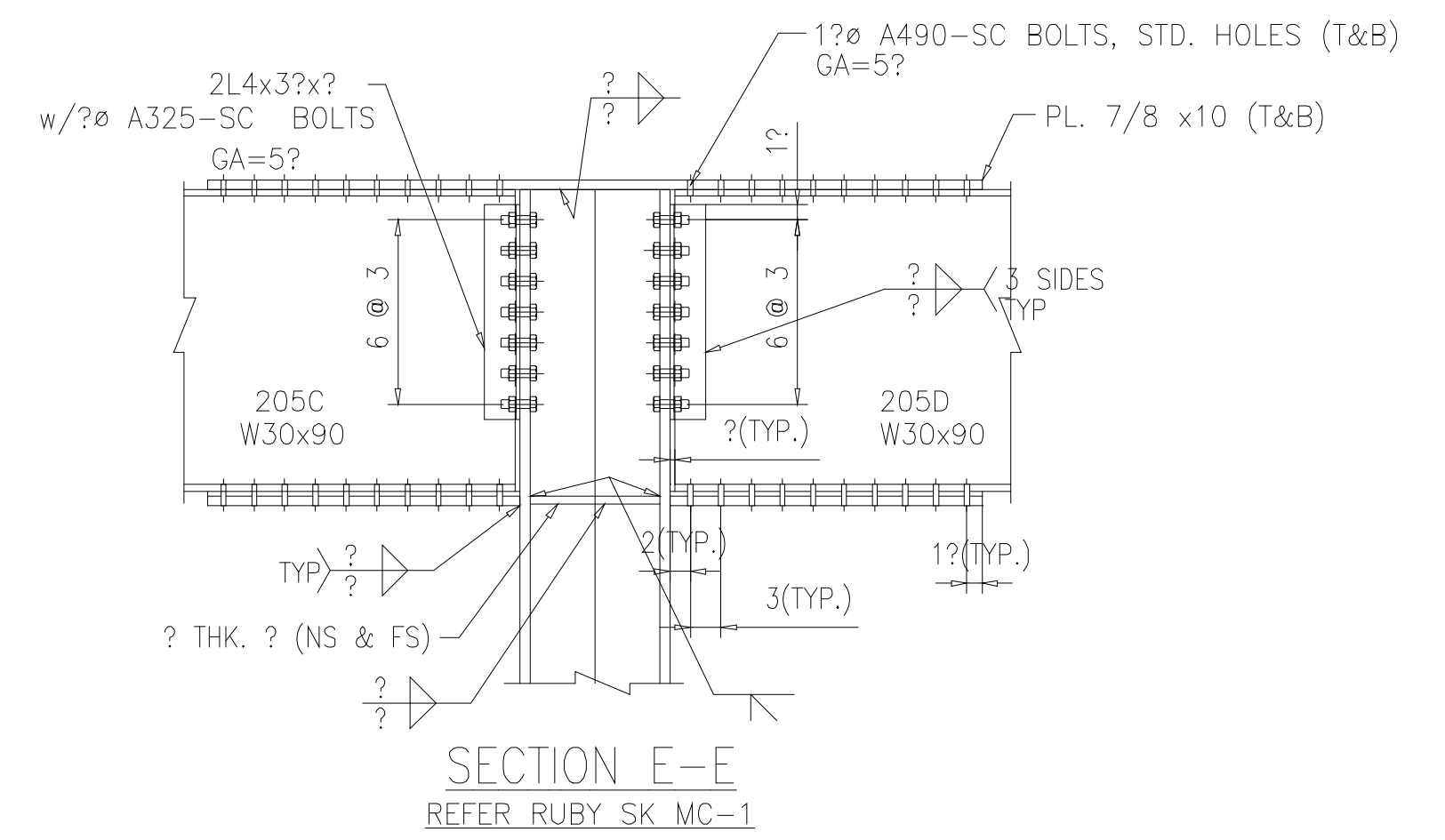


SECTION K-K
REFER RUBY SK SC-1A & SC-1B

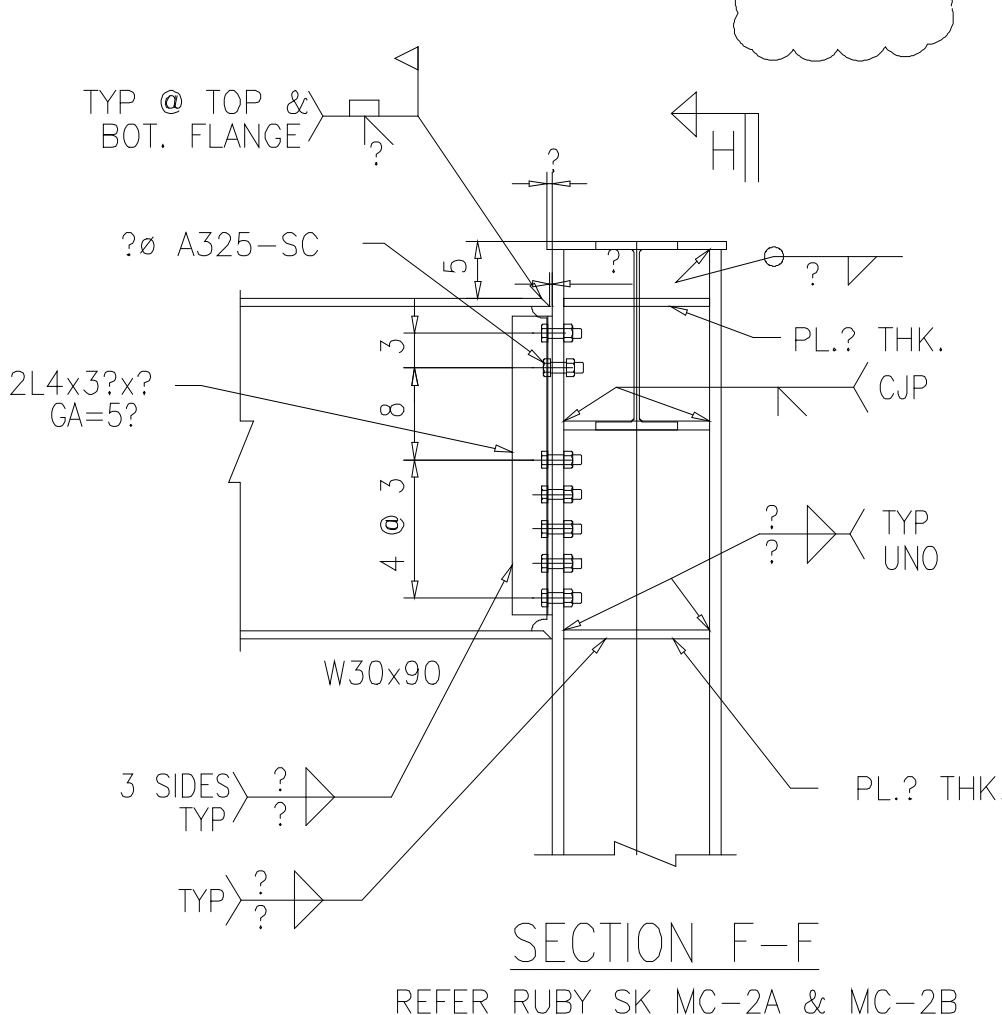
- NOTES:-
- 1) ALL SHOP BOLTS ARE TO BE (TC) BOLTS.
 - 2) ALL FIELD BOLTS ARE TO BE (HEX. HEAD) BOLTS.



SECTION C-C
REFER RUBY SK SC-1A, SC-1B & MC-6

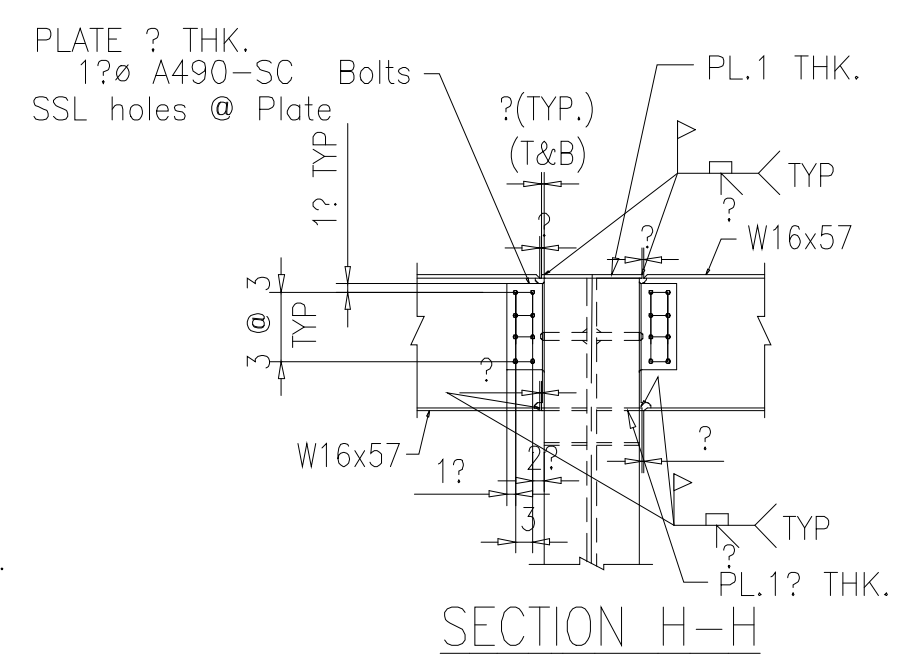


SECTION E-E
REFER RUBY SK MC-1

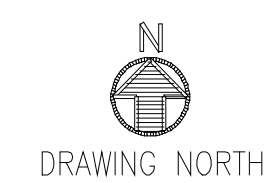


SECTION F-F
REFER RUBY SK MC-2A & MC-2B

RUBY TO VERIFY/ PROVIDE THE CONN.



SECTION H-H



DRAWING NORTH

