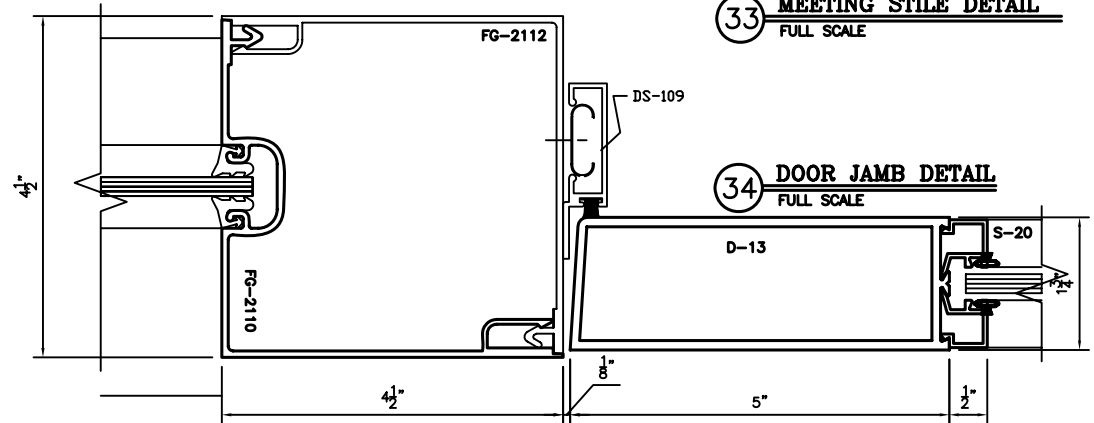
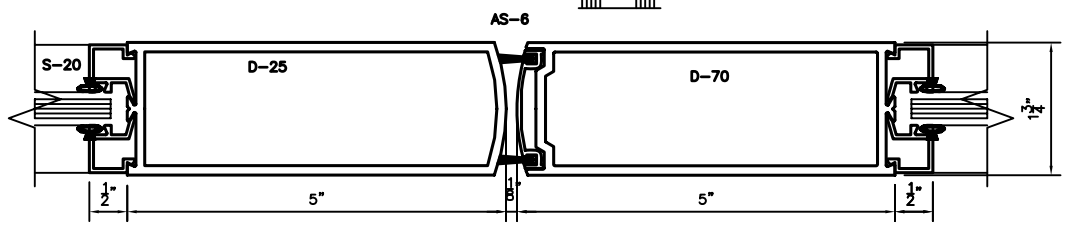
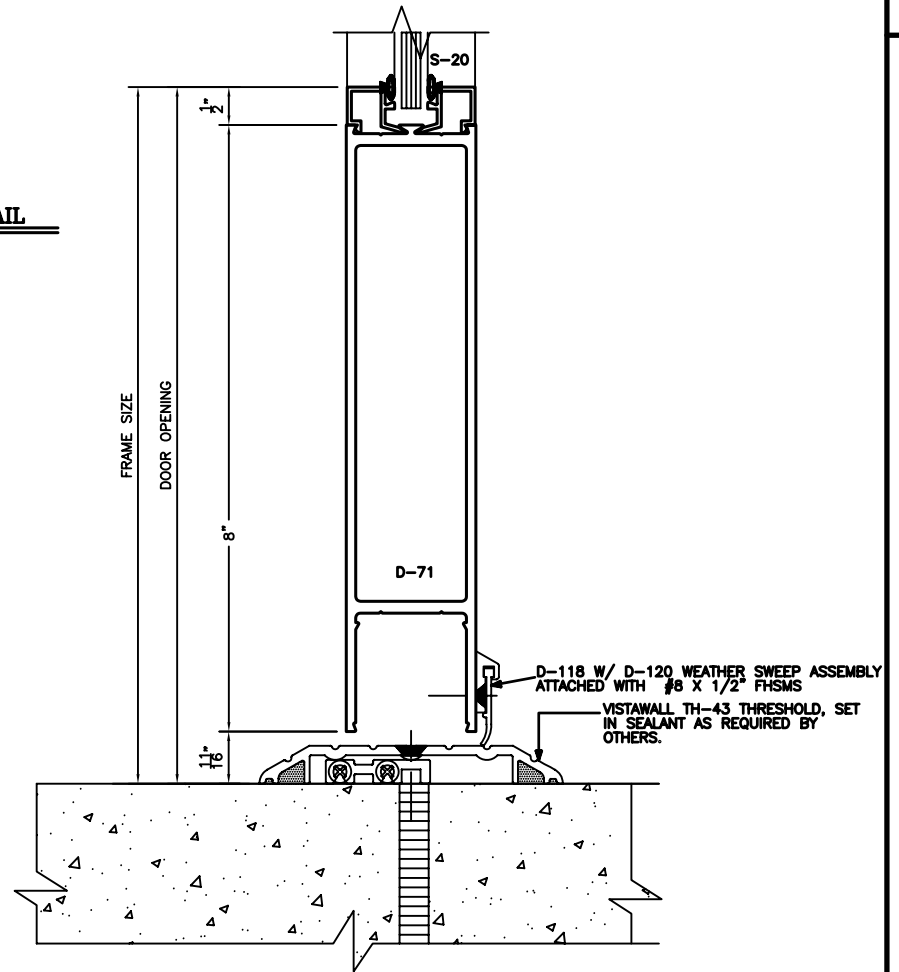
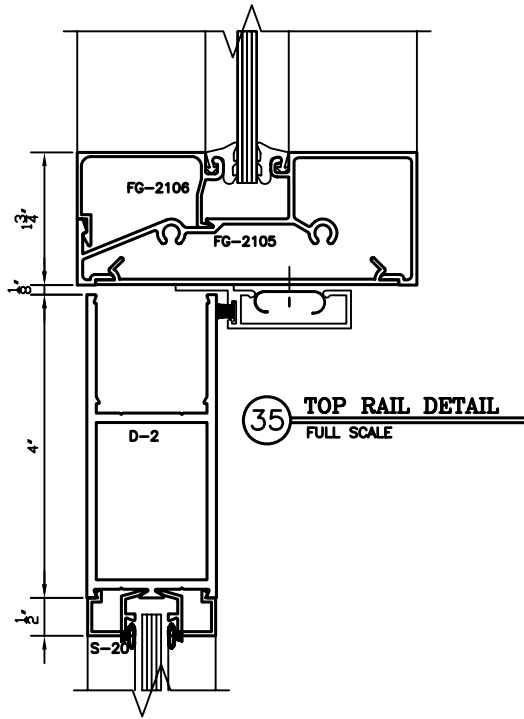
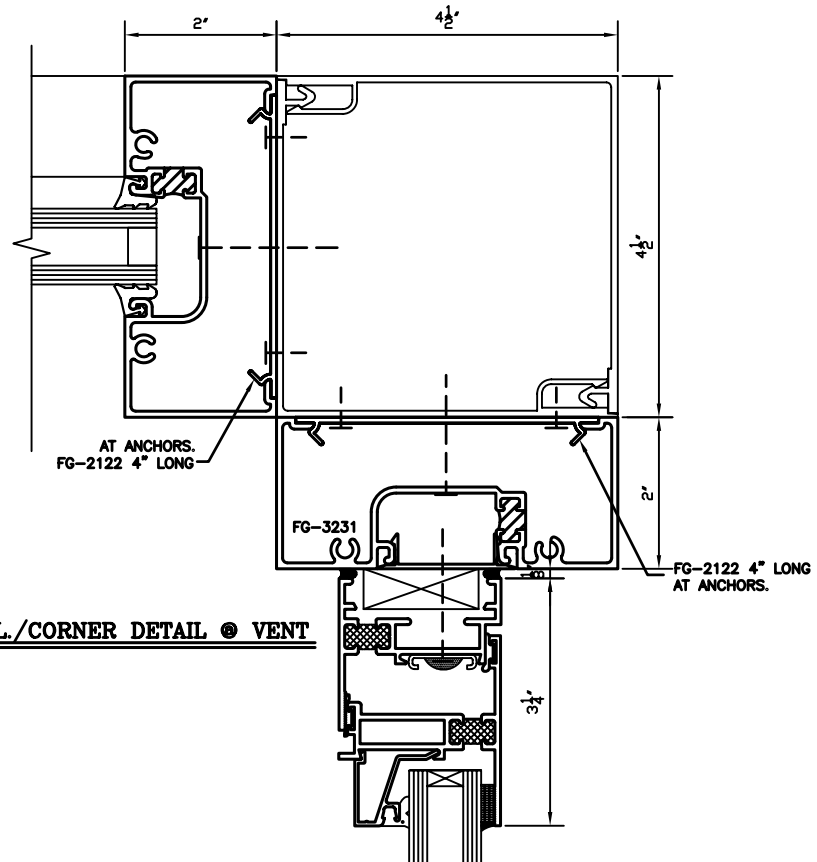


LAST REVISED: 1/1/06



ABBREVIATIONS:

M.O. - MASONRY OPENING	F.S. - FRAME SIZE
F.O. - FINISHED OPENING	W.S. - WINDOW SIZE
D.O. - DOOR OPENING	REQ'D - REQUIRED
S.O. - STEEL OPENING	CLR. - CLEAR
A.F.F. - ABOVE FINISHED FLOOR	B.O.S. - BOTTOM OF STEEL
DIM. - DIMENSION	T.O.S. - TOP OF STEEL
CL - CENTER LINE	NTS - NOT TO SCALE

SYMBOLS:

	ELEVATION NUMBER
	SHEET NUMBER
	DETAIL NUMBER
	SHEET NUMBER

REVISIONS:

NO.	DATE	DESCRIPTION	NO.	DATE	DESCRIPTION

JOB NAME:	DATE:
ARCHITECT:	09/09/06
CONTRACTOR:	SCALE:
	AS NOTED
	DRAWN BY:

SHEET NUMBER
3.10